



User Manual

Manual Sliding Gates

DELTA - UGATE - AXEL



Please read this original user manual before using this gate for the first time! Act in accordance with the manual and keep it in a safe place for later use or for the following owner.





CONTENTS

FOREWORD	5
1 PREFACE	6
1.1 MANUFACTURER / SUPPLIER	6
1.2 SERVICE / MAINTENANCE	6
1.3 DEFINITIONS: USER / OPERATOR / ENGINEER	6
1.4 PRESCRIBED USE / APPLICATION	7
1.5 CONFORMITY WITH EUROPEAN DIRECTIVES	7
2 SAFETY	8
2.1 EXPLANATION OF THE SYMBOLS	8
2.2 INTENDED USE	8
2.3 GENERAL SAFETY INSTRUCTIONS	8
2.4 SAFETY PROVISIONS EMPLOYED	9
2.5 SAFETY DURING USE	9
2.6 SAFETY DURING INSTALLATION, MAINTENANCE AND DISASSEMBLY	10
3 DESCRIPTION	11
3.1 DELTA	11
3.2 UGATE	12
3.3 AXEL	13
4 SAFETY PROVISIONS FOR SLIDING GATES	14
4.1 PROVISIONS TO PREVENT DELTA FROM FALLING OVER	14
4.2 PROVISIONS TO PREVENT UGATE FROM FALLING OVER	15
4.3 PROVISIONS TO PREVENT AXEL FROM FALLING OVER	16
4.4 PROVISIONS AGAINST DERAILMENT	16
5 OPERATION	18
5.1 OPENING/CLOSING A SLIDING GATE	18
5.1.1 <i>Unlocking/opening a uGate</i>	18
5.1.2 <i>Closing/locking a uGate</i>	19
5.1.3 <i>Unlocking/opening a Delta</i>	19
5.1.4 <i>Closing/locking a Delta</i>	19
5.1.5 <i>Unlocking/opening an Axel</i>	20
5.1.6 <i>Closing/locking an Axel</i>	20
5.2 CLOSING PROTECTION	21
5.2.1 <i>CLOSING PROTECTION DELTA/UGATE</i>	21
5.2.1.1 Locking closing protection with locking pin	22
5.2.1.2 Unlocking closing protection with locking pin	22
5.2.2 <i>CLOSING PROTECTION AXEL</i>	23
5.2.2.1 Locking closing protection with comb	23
5.2.2.2 Unlocking closing protection with comb	23
6 MAINTENANCE	24



6.1	GATE MAINTENANCE	24
6.2	CLEANING	24
7	DECOMMISSIONING AND REMOVAL	25
8	SPARE PARTS.....	25
9	TECHNICAL DATA	26
9.1	SLIDING GATE DESCRIPTION.....	26
APPENDIX A: DECLARATIONS.....		27



FOREWORD

This manual is intended solely for manually operated Heras sliding gates. This can relate to single and double gate models. A separate manual is available for gates with drives. This manual enables you to operate and maintain the gate correctly.

Please read this user manual carefully before using the sliding gate.

Store the manual in a safe place to be able to refer to it later if required. This description is intended for the operator of the gate. The installer uses a separate manual to assemble and install the gate.



1 PREFACE

1.1 MANUFACTURER / SUPPLIER

Manufacturer: Heras B.V.
Hekdam 1, 5688 JE Oirschot
Netherlands
Tel.: +31(0)499-551255
www.heras.com

Technical Construction File: Heras B.V. manager, P.D. Department

1.2 SERVICE / MAINTENANCE

In the event of problems, failures or questions you can contact:

Heras Netherlands	Telephone	+31(0) 499 551 255
Heras Germany	Telephone	+49(0) 1805 437277
Heras UK	Telephone	+44(0) 1302 364 551
Heras France	Telephone	+33(0) 3 88 067 000
Heras Norway	Telephone	+47(-) 22 900 555
Heras Sweden	Telephone	+46(0) 77 1506050

1.3 DEFINITIONS: USER / OPERATOR / ENGINEER

User: Anyone using the gate.

Operator: A user who is familiar with all safety aspects dealt with in this manual. Operators are not allowed to carry out any installation work on the gate unless explicitly specified.

Engineer: The engineer is a Heras fitter (or an engineer employed by the customer who has been given explicit permission in writing from Heras) who is qualified to perform technical interventions on the gate.



1.4 PRESCRIBED USE / APPLICATION

Only the correct installation and maintenance by an authorised/qualified company or person in agreement with the user manual, logbook, checklists and maintenance lists can ensure the safe operation of the system. The logbook can be requested separately or can be downloaded at www.heras.com.

A qualified person is, according to EN 12604, a person who has the required training, qualified knowledge and practical experience required to install, test and maintain a sliding gate system correctly and safely.

1.5 CONFORMITY WITH EUROPEAN DIRECTIVES

The installation complies with the following EU Directives/ regulations:

EU	305/2011	EC	Construction Product Regulation
UK			Construction Products Regulations 2013

The design and production has been executed compliant with the applicable product standard EN 13241.

A Declaration of Performance (DoP) is obligatory for this product. The DoP is included in Appendix A.

The CE mark is located on the gate leaf.

2 SAFETY

2.1 EXPLANATION OF THE SYMBOLS



Caution: To prevent personal injury, you must observe the safety instructions below.



Note: To prevent material damage, you must observe the safety instructions below.



Information: This is followed by further information or by a reference to other documents.

2.2 INTENDED USE

Giving safe access for goods and vehicles accompanied or driven by persons in industrial, commercial or residential premises.



Carefully read this user manual before operating the gate.

2.3 GENERAL SAFETY INSTRUCTIONS



- The operator must read the entire user manual before the gate is used for the first time. The instructions stated in the user manual must be observed and complied with. All other forms of use can cause unexpected hazards and are forbidden.
- Any damage to/defects in the gate that could affect the safety of the user or of third parties must be repaired immediately.
- Closing the gate infill openings in any way, such as by means of banners, advertising signs etc, is not allowed as this may negatively affect the safe operation of the gate.
- All alterations or extensions to the gate must be carried out by qualified personnel using parts which the manufacturer has defined as suitable for such alterations or extensions. Any failure to comply with these instructions will be considered as non-compliant behavior and will invalidate the manufacturer's guarantee, as a result of which the risk entirely transfers to the user.
- For a double sliding gate, it is strictly forbidden to remove the central slam support (mounted on the floor in the opening). This is important for the stability of the gate when closed.

- Improper usage or servicing or ignoring the operating instructions can be a source of danger for persons, and/or result in material damage.
- If the meaning of any part of these installation and operating instructions is not clear, then please contact your supplier before you use the equipment.

2.4 SAFETY PROVISIONS EMPLOYED

To comply with the CE marking, manually operated gates must be designed in accordance with EN 13241:2003+A2:2016 and EN 12604:2017+A1:2020. Among other things, these standards specify the safety requirements.

In addition to mechanical requirements, these requirements are mainly:

- Protection against accidental and uncontrolled movements
- The gate leaves must be protected against falling over during normal operation or if they come in contact with a stationary obstacle.

Uncontrolled movements – for example, due to gusts of wind – can be prevented by blocking/locking the leaves in a closed and open position.



See the chapter on OPERATION.



- Make sure that the gate leaf is always blocked against unintended movements caused by gusts of wind. This can result in injury, damage to property or damage to the product.

Provisions have been applied to prevent gate leaves from falling over or becoming derailed. These may differ for each gate type.

See the chapter on SAFETY PROVISIONS FOR SLIDING GATES.



Provisions that protect gate leaves against falling over or from becoming derailed must NEVER be removed. If they are missing or damaged, make sure that they are replaced as soon as possible. Please contact Heras if this happens.

2.5 SAFETY DURING USE



- Prevent children playing with the gate.
➔ **PARENTS ARE RESPONSIBLE FOR THEIR CHILDREN** ←



- The gate must not be operated in windy conditions, wind force ≥ 9 Beaufort. The gate leaf can swing in a way that can result in damage to the construction.



- The gate must be able to move freely without there being obstacles in the gate opening passage or anywhere else on the moving trajectory of the gate. Do not stick any objects through, over or under the gate which might block the gate.



- The gate running surface must always be free from snow, ice or dirt that might affect its sliding behaviour. If the running surface is blocked, the gate will not move at all or will not complete its movement. An irregular running surface may cause damage to the drive and/or road wheels.
- In certain circumstances, the sun can temporarily distort the gate. When closing the gate, the leaf is guided to its neutral position. When opening the gate, the leaf will move around somewhat. This has no adverse consequences for the construction.
- Climbing the gate is strictly forbidden as people climbing the gate could be hurt if the gate is started unexpectedly.

2.6 SAFETY DURING INSTALLATION, MAINTENANCE AND DISASSEMBLY



- When working on or cleaning the gate, make sure that the gate leaf is always blocked against unintentional movements.
- The EN 13241 and EN 12604 standards must be taken into consideration during installation. To achieve a good safety level, both the above standards and the national regulations must be taken into account in non-EC countries.



The Delta and uGate have highly tensioned cables fitted in the bottom rail. If these cables are damaged, they can snap with great force. This can lead to serious injury. Therefore, it is prohibited to drill into or grind these rails.

!! Only people trained by Heras are allowed to disassemble the bottom rail.

If the gate is damaged, always contact the supplier for an inspection.

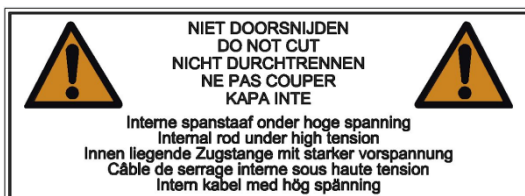


Illustration 1: Warning sticker bottom rail

3 DESCRIPTION

Sliding gates are fitted with an integrated lock. For the Delta, this is a hook lock without a door handle. The uGate has a lock with a spring-loaded latch bolt/deadbolt and a vertical door handle. The Axel uses a swivel.

The lock catcher (Delta and uGate) is mounted on the stop structure and can be adjusted in height.

3.1 DELTA

The Delta is a cantilever sliding gate with a modular construction for openings up to 9.5 meters in a single version and up to 19 meters in a double version.

Applications include port areas, company buildings, office buildings, storage sites, garden and landscape areas, high-risk sites, airports, transport and distribution sites, and parking garages.

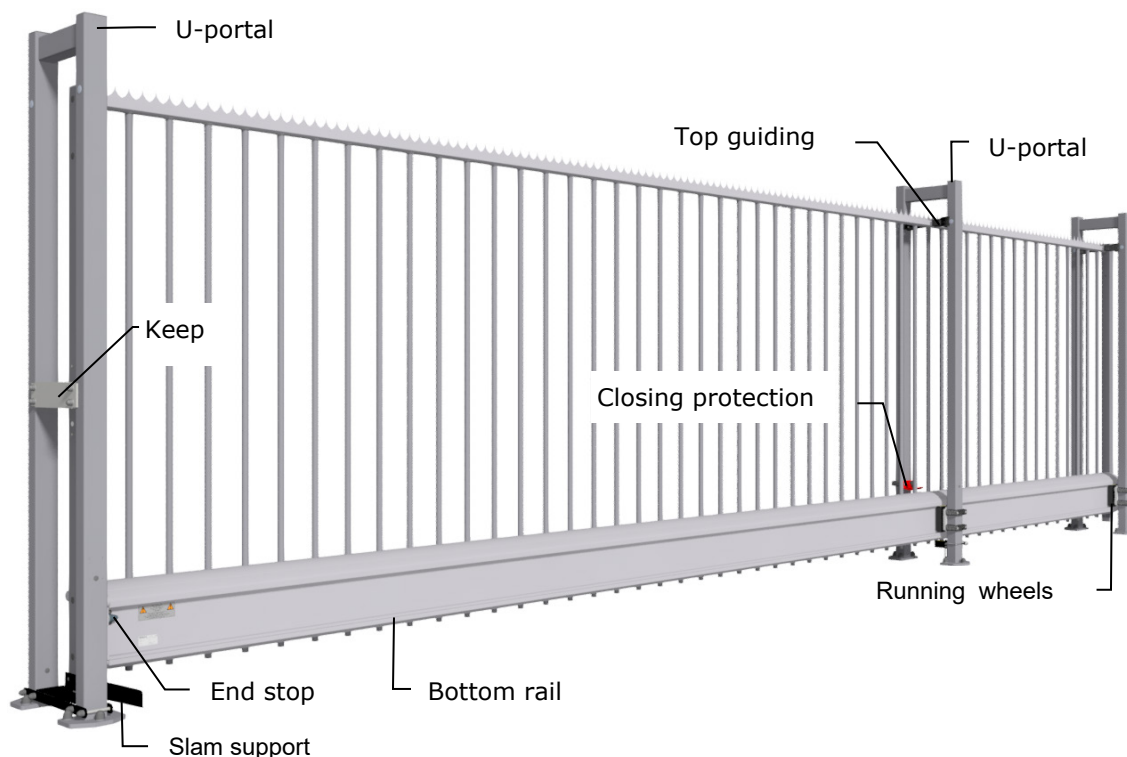


Illustration 2: Delta sliding gate terms

3.2 UGATE

The uGate is a cantilever sliding gate with a modular structure for openings up to 12 meters in a single version and up to 24 meters in a double version.

Applications include port areas, company buildings, office buildings, storage sites, garden and landscape areas, high-risk sites, airports, transport and distribution sites, and parking garages.

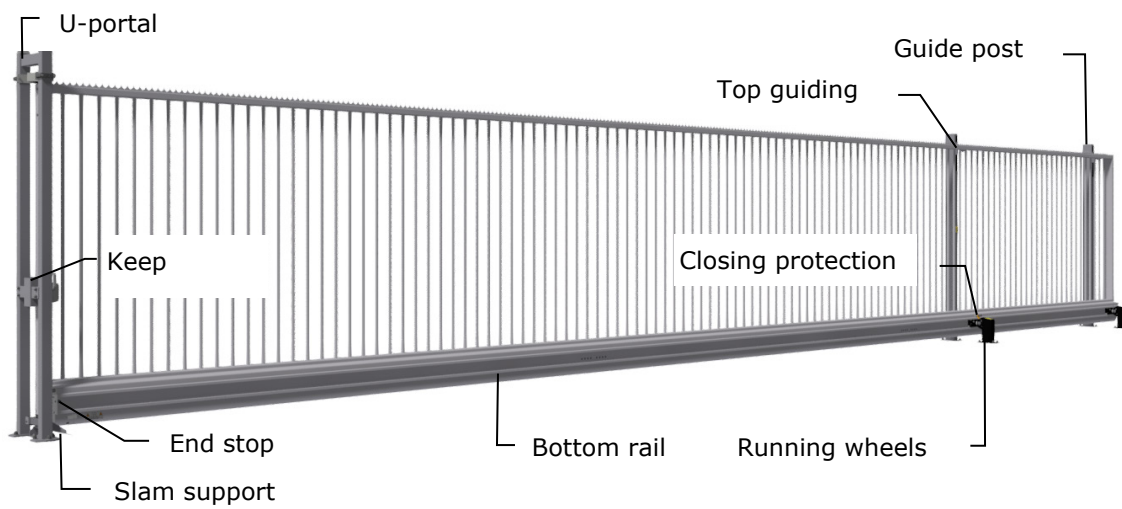


Illustration 3: uGate sliding gate terms

3.3 AXEL

The Axel is a fully assembled cantilever sliding gate for passageways up to 7 meters.

Applications are construction sites, industrial buildings, storage areas and garden & landscape.

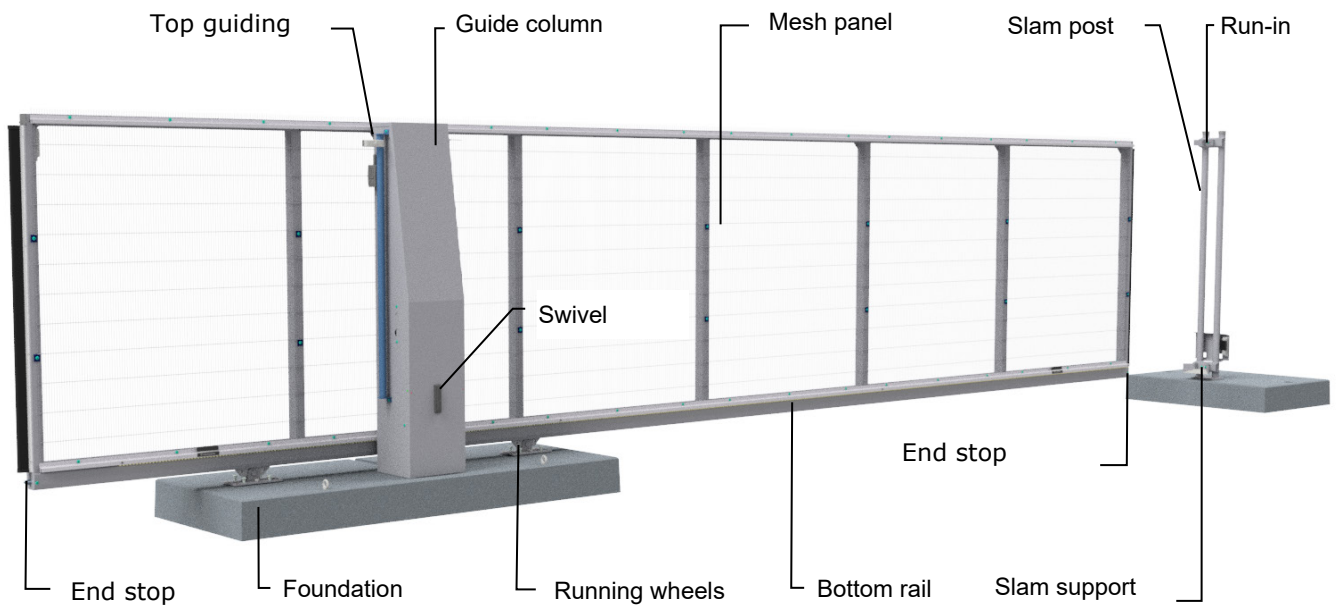


Illustration 4: Axel sliding gate terms

4 SAFETY PROVISIONS FOR SLIDING GATES

Gate leaves must be protected against falling over and becoming derailed.



This is required in order to comply with the CE marking. Never remove these provisions.

4.1 PROVISIONS TO PREVENT DELTA FROM FALLING OVER

With the Delta, the gate leaf is protected against falling over by one or two (depending on the model) U-portals. This guide structure is mounted over the gate leaf. If a bottom or top guide breaks, the U-portal ensures that the leaf cannot fall over.

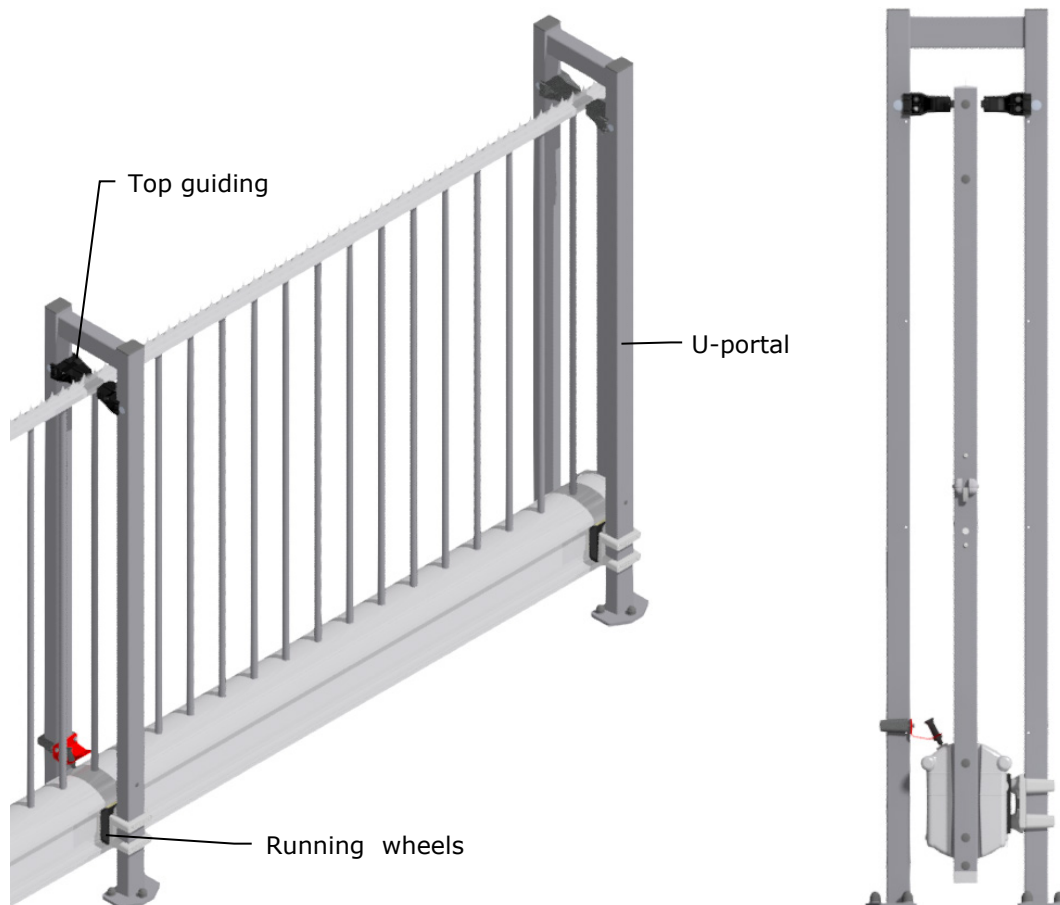


Illustration 5: Guide structure principle Delta

4.2 PROVISIONS TO PREVENT UGATE FROM FALLING OVER

In the uGate, the gate leaf is protected against falling over by two guide posts on one side of the leaf. Plastic blocks are screwed into the posts. If both top guides break, this structure ensures that the leaf cannot fall over.



The plastic blocks must never be adjusted or removed. If the blocks are damaged or missing, please contact Heras.

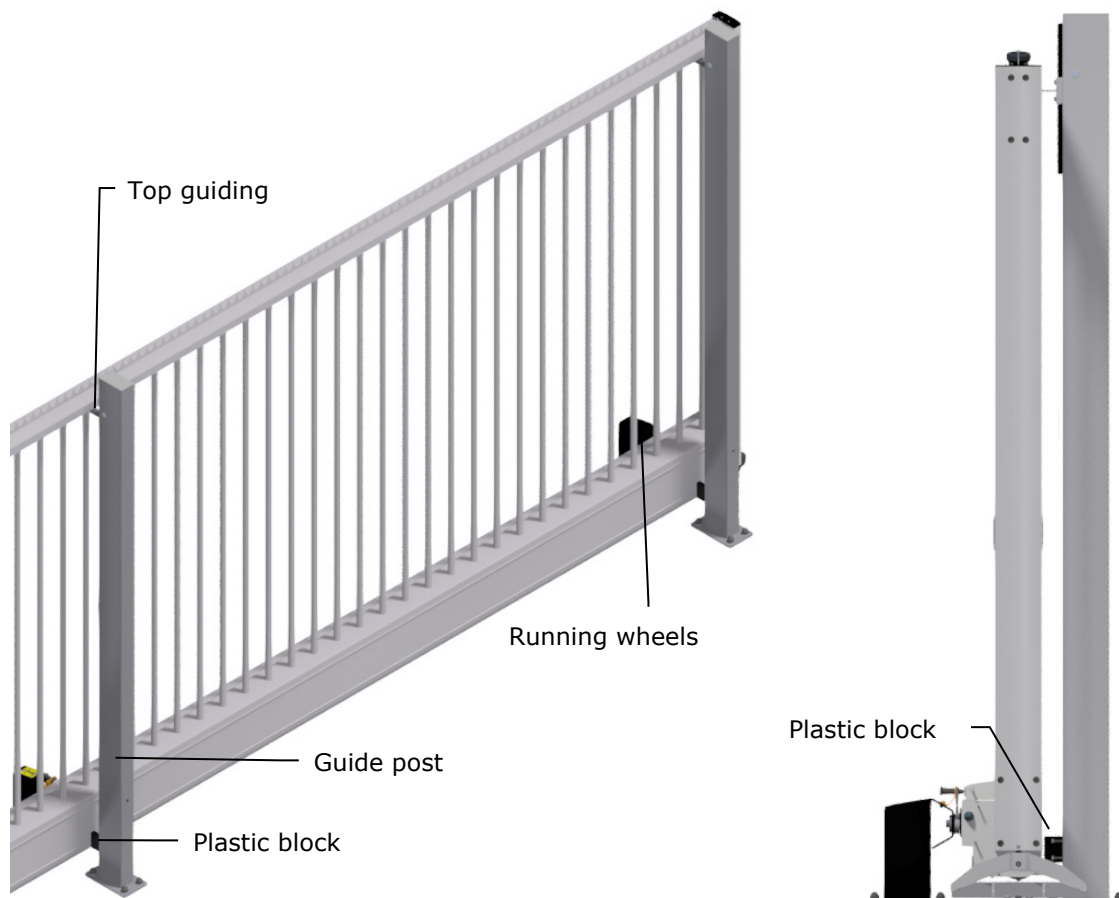


Illustration 6: Principle guide structure uGate

4.3 PROVISIONS TO PREVENT AXEL FROM FALLING OVER

With the Axel the gate leaf is protected against falling over by the guide column, guide bracket and running wheels. If the top guide would break, they ensure that the leaf cannot fall over.

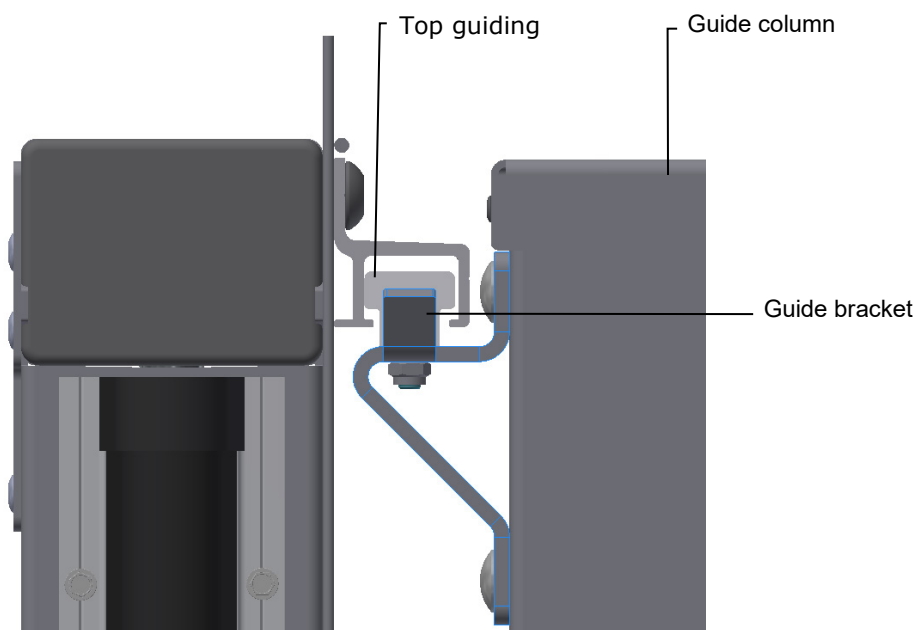


Illustration 7: Principle guide structure Axel

4.4 PROVISIONS AGAINST DERAILMENT



It must never be possible for gate leaves to slide out of the guide, causing them to fall over. This applies when both opening and closing the gate. To prevent this, these gates are equipped with end stops. End stops should therefore never be removed.

End stops can be mounted on the leaf, such as on the bottom rail, or as a separate facility, such as rises.

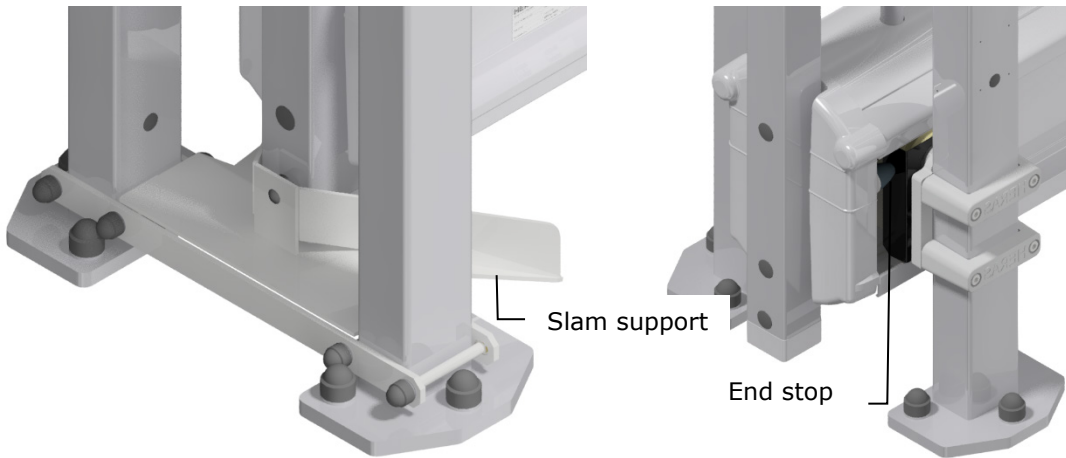


Illustration 8: Delta end stops



Illustration 9: uGate end stops

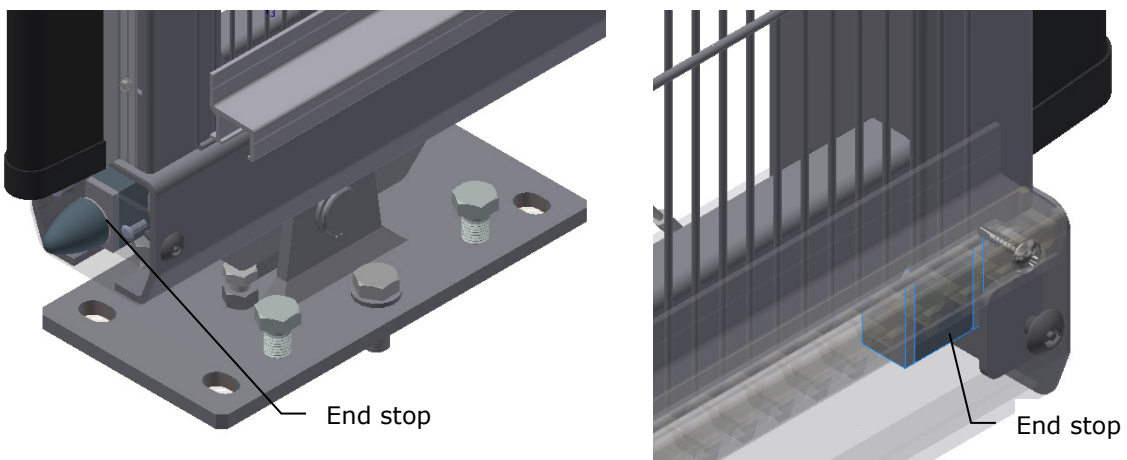


Illustration 10: Axel end stops

5 OPERATION

To move the gate, the door handle or front vertical post can be used as a handgrip. The bar filling of the leaf is not intended to be used as a handgrip. It can become deformed as a result.



The initial movement requires extra force. This is normal. This force depends on the type and size of the gate. If the gate continues to move heavily, please contact the Heras service department.

Before the gate is closed, the closing protection must first be disconnected.



See the chapter on CLOSING PROTECTION.

5.1 OPENING/CLOSING A SLIDING GATE

- Always open/close the leaf at an appropriate speed.
- Hold the leaf firmly when opening/closing it so that any gusts of wind do not lead to unintended movements. Just before the gate closes fully, the leaf will be guided through the rise to the middle, which may require extra force. The amount of force depends on the weather effects such as sun and wind.
- Never slam the leaf against the end position at high speed (>0.2 m/s). This may damage the product.

5.1.1 Unlocking/opening uGate

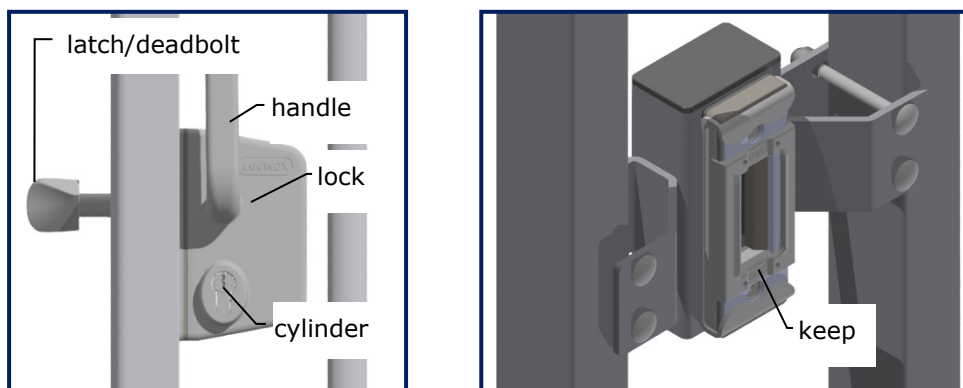


Illustration 11: uGate lock and keep

- Insert the matching key into the cylinder and turn it so that the gate is unlocked. The spring-loaded rotating mechanism of the latch bolt/deadbolt prevents the leaf from sliding open unintentionally.
- Turn the door handle 90° and hold it. At this point, the gate leaf can be slid open.

5.1.2 Closing/locking uGate

- Slide the gate completely shut at an appropriate speed. The spring-loaded rotating mechanism of the latch bolt/deadbolt automatically secures the leaf so that it doesn't slide open unintentionally.
- Insert the matching key into the cylinder and turn it so that the gate is locked.
- Remove the key from the cylinder.

5.1.3 Unlocking/opening Delta

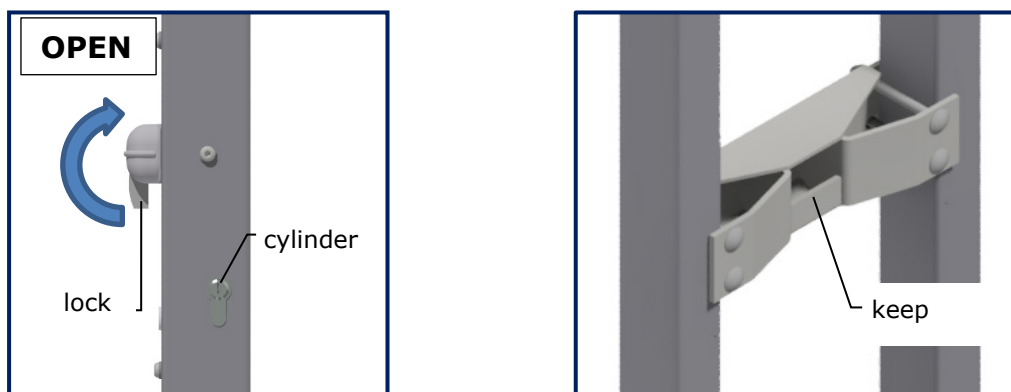


Illustration 12: Delta lock and keep

- Insert the matching key into the cylinder and turn it so that the hook of the lock turns upward. The gate is now unlocked.
- Slide the gate leaf open.

5.1.4 Closing/locking Delta



- Slide the gate completely shut at an appropriate speed. Please note that the gate leaf of the Delta is currently not automatically secured against sliding open unintentionally.
- Insert the matching key into the cylinder and turn it so that the hook of the lock turns downwards. The gate is now locked.
- Remove the key from the cylinder.

5.1.5 Unlocking/opening Axel

Unlocking/locking the Axel is done by means of a swivel lever. This is located on the side of the guide column and is used for unlocking, locking and as a closing protection.



- Turn the cylinder cover to the side.
- Insert the matching key into the cylinder and turn it so that the gate is locked.
- Pull the handle slightly away from the column and turn counterclockwise $\pm 90^\circ$. The gate is now unlocked.
- Slide the gate leaf open.

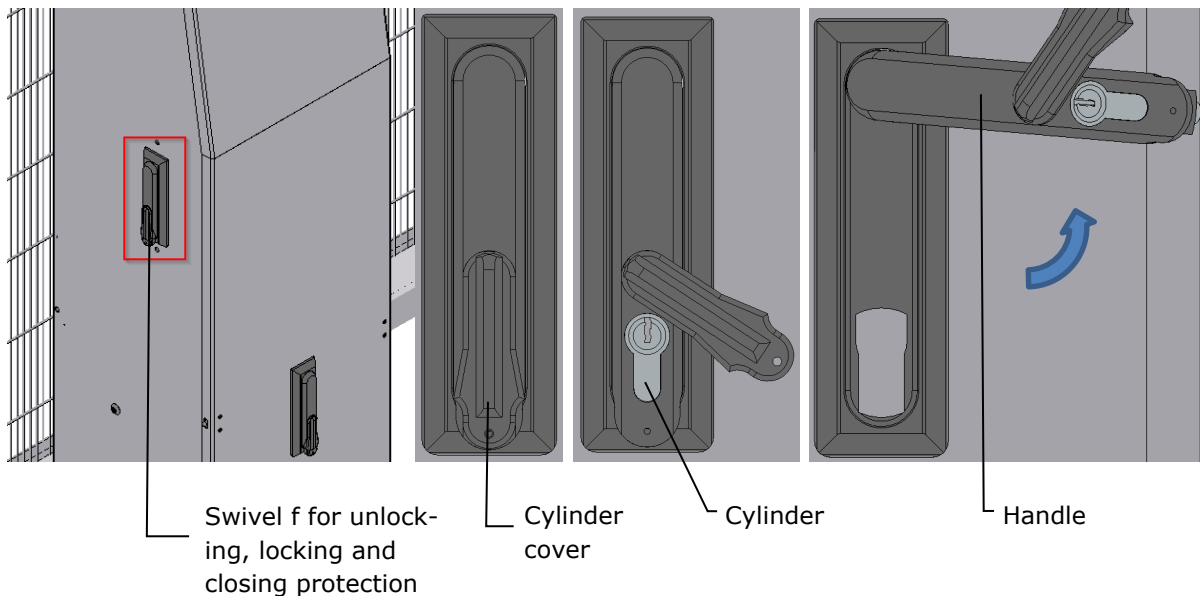


Illustration 13: Axel lock

5.1.6 Closing/locking Axel



- Slide the gate completely shut at an appropriate speed. Please note that the gate leaf of the Delta is currently not automatically secured against sliding open unintentionally.
- Follow the steps of 5.1.5. in reverse order. The gate is now locked.
- Remove the key from the cylinder.

5.2 CLOSING PROTECTION

It must be possible to protect gates that remain open against unintentional movements – for example, as a result of gusts of wind.

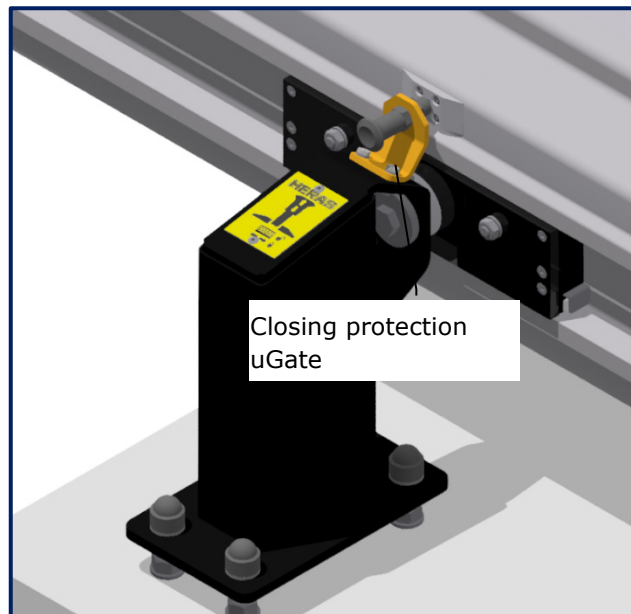
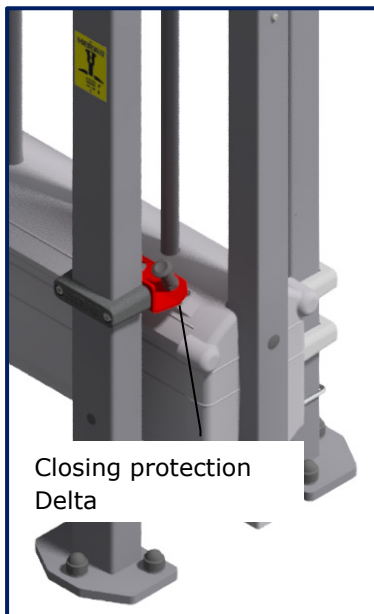
With the Delta and uGate, this can be done using a locking pin. The Axel uses a comb that hooks into a gear rack. Unlike the Delta/uGate, the Axel can be locked in any position.

5.2.1 CLOSING PROTECTION DELTA/UGATE

A blocking plate is mounted on the gate leaf during assembly. A retractable locking pin provides the security.



- Before closing the leaf, make sure that the locking pin is retracted.



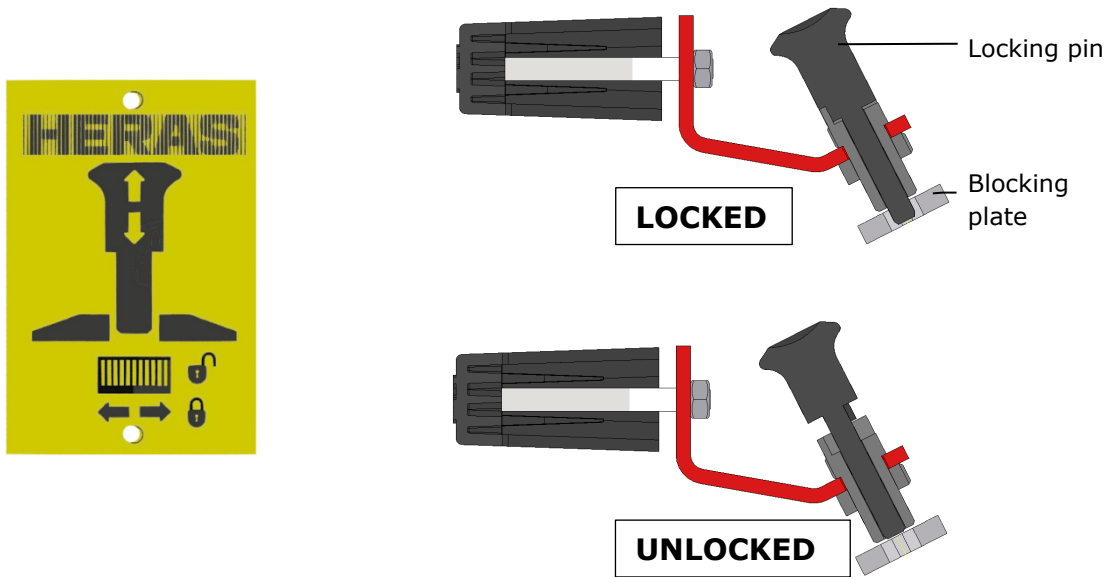


Illustration 14: Closing protection for Delta/uGate sliding gate

5.2.1.1 Locking closing protection with locking pin

- Put the locking pin in the "LOCKED" position.
- Slide the gate fully open at an appropriate speed. The spring-loaded locking pin will automatically engage the hole in the locking plate. The gate is now locked.
- Check that the leaf is locked.



5.2.1.2 Unlocking closing protection with locking pin

- Fully retract the locking pin and turn it a quarter turn.
- Release the locking pin. The gate is now unlocked.
- Hold the leaf firmly so that any gusts of wind do not cause unintended movements.
- Close the gate.



5.2.2 CLOSING PROTECTION AXEL

With the Axel, the closing protection consists of a comb that hooks into a gear rack. The comb is attached to the underside of the guide column between column and gate leaf. The gear rack part of the gate leaf. By putting the swivel lever in the closed position, see 5.1.5, the cam hooks into the rack, which secures the gate leaf against unintentional movement.

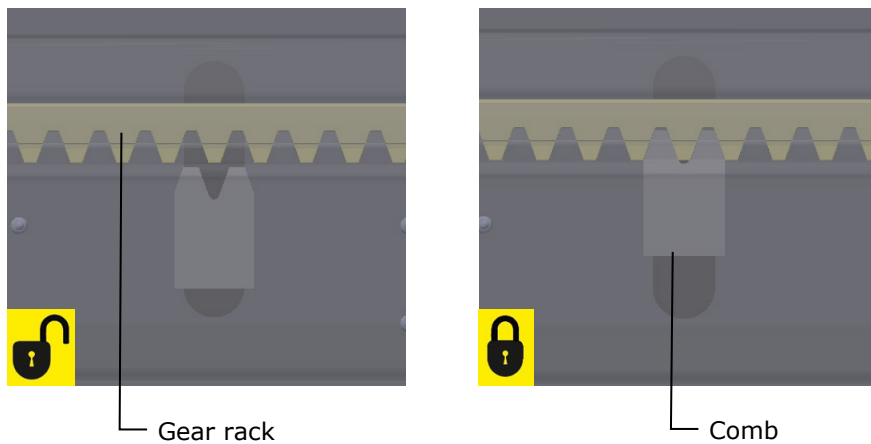


Illustration 15: Comb and gear rack Axel

5.2.2.1 Locking closing protection with comb

- See chapter 5.1.5.

5.2.2.2 Unlocking closing protection with comb

- See chapter 5.1.6.



6 MAINTENANCE

6.1 GATE MAINTENANCE

Under normal conditions and with regular maintenance, Delta and uGate sliding gates have a life of at least 200,000 cycles and 50,000 for Axel sliding gates. To ensure that your gate operates safely, reliably and in compliance with all relevant legislation and laws, we recommend a MINIMUM of one maintenance check every 12 months.

Any maintenance work, including repair, replacement, modification and upgrade MUST be conducted by a Heras trained, qualified, competent and certified technician using Heras approved tools and spare parts.

Failure to ensure that the gate is used in accordance with User manual provided, or any faults or damage caused by wilful misuse, will result in any warranty becoming void.

During maintenance, essential points of the sliding gate must be periodically checked using an inspection protocol.

- Correct operation and adjustment.
- Check all anchor and bolted connections.
- Check wear of running wheels, guide wheels and the surface on which they run
- Check welded joints, damage to coating and zinc

6.2 CLEANING

The gate can be cleaned using a non-aggressive detergent and a soft cloth, brush or sponge. Avoid using a pressure cleaner as this might damage the gate.

Lubricating the running surface of the gate is not allowed.

7 DECOMMISSIONING AND REMOVAL



Ensure that the gate is dismantled by a qualified technician.

Use the installation manual.

At the end of their service lives the products must be disposed of in accordance with all local, regional and national rules and instructions. The sliding part is mainly made of aluminum and steel parts. The guideposts are made of steel.

Heras is also happy to take the products back and then dispose of them in an appropriate manner.



The Delta and uGate gates have highly tensioned cables fitted in the bottom rail. If these cables are cut, they can snap with great force. This can lead to serious injury. Therefore, **it is prohibited** to disassemble the bottom rail yourself.

!! Only people trained by Heras are allowed to disassemble the bottom rail.

There is no hidden danger associated with dismantling the bars, top rail and stiles.



The points that are fitted to some sliding gates are sharp. There is a danger of being cut when disassembling such a gate. Wear suitable gloves.

8 SPARE PARTS

Euro profile cylinder	Item no:	Description
SETECILD1	2016138	cylinder nr 1 euro 2 keys dbl
SETECILD2	2016139	cylinder nr 2 euro 2 keys dbl
SETECILD3	2016140	cylinder nr 3 euro 2 keys dbl
SETECILD5	2016142	cylinder nr 5 euro 2 keys dbl
SETECILD6	2016143	cylinder nr 6 euro 2 keys dbl
SETECILD8	2016145	cylinder nr 8 euro 2 keys dbl
SETECILE3	2016149	cylinder nr 3 euro 2 keys sgl
SETECILE8	2016154	cylinder nr 8 euro 2 keys sgl



9 TECHNICAL DATA

9.1 SLIDING GATE DESCRIPTION

Gate leaf	Delta	uGate	AXEL
Length [m]	5.15 ... 12.5	9.74 ... 16.3	6,2 ... 9,3
Height [m]	1.00 ... 2.5	1.5 ... 2.5	2,0
Max. weight [kg]	340	450	330
Construction	Cantilever	Cantilever	Cantilever

The functions described in this manual are designed for the prevailing climatic conditions in Europe.

Temperature range	-20 °C to +50 °C
-------------------	------------------



APPENDIX A: DECLARATIONS



Declaration of Performance



Prestatieverklaring - Leistungserklärung - Déclaration des performances Prestandadeklaration - Ytelseserklæring - Ydeevnedeklaration

DoP No: CE-DOP-2021.03-00

Product type - Producttype - Produkttyp - Type de produit - Produkttyp - Produkttype - Produkttype
Manually operated sliding gates - Handbediende schuifpoorten - Manuell betätigten Schiebetoren - Portes coulissantes à commande manuelle - Manuella skjutgrindar - Manuelt betjente skyveporter - Manuelt betjente skydeporte
Identification code - Identificatiecode - Kenncode - Code d'identification - Identifikationskod - Identifikasjonskode - Identifikationskode
Delta21 - SHB21 - uGate21 ¹
Serial number - Serienummer - Serienummer - Numéro de type - Serienummer - Serienummer - Serienummer
n/a
Intended use - Beoogd gebruik - Vorgesehener Verwendungszweck - Usage prévu - Avsedd användning - Tiltent bruk - Tilsigtet brug
Giving safe access for goods and vehicles accompanied or driven by persons in industrial, commercial or residential premises. Het bieden van een veilige toegang voor goederen en voertuigen begeleid of bestuurd door personen in industriële, commerciële of residentiële ruimten. Eine sichere Zufahrt für Waren und Fahrzeuge, begleitet oder geführt (gesteuert) von Personen, in industriellen, gewerblichen oder Wohnbereichen zu ermöglichen. Permettre l'accès des marchandises et des véhicules accompagnés ou conduits par des personnes, en toute sécurité, dans des locaux industriels et commerciaux ou des garages dans les zones d'habitation. För vilka avsedd användning är att ge säkert tillträde för gods och fordon åtföljda av eller körda av personer på industriområden, kommersiella områden eller bostadsområden. Gir sikker tilgang for varer og kjøretøy ledsaget eller kjørt av personer i industrielle, kommersielle eller boliglokaler. Give sikker adgang til varer og køretøjer, der ledsages eller køres af personer i industrielle, kommersielle eller boliglokaler.
Contact address manufacturer - Contactgegevens fabrikant - Kontaktanschrift des Herstellers - Adresse de contact du fabricant - Tillverkarens kontaktadress - Tillverkarens kontaktadress - Kontaktadresse fabrikant
Heras B.V. - Hekdam 1 - 5688JE Oirschot - Netherlands
System of assessment and verification of constancy of performance Systeem voor beoordeling en verificatie van de prestatiebestendigheid System zur Bewertung und Überprüfung der Leistungsbeständigkeit Système d'évaluation et de vérification de la constance des performances System för bedömning och fortlöpande kontroll av byggprodukternas prestanda System for vurdering og verificering af prestasjonsbestandighet System til vurdering og kontrol af ydeevnens konstans
System 3 - System 3 - System 3 - Système 3 - System 3 - System 3 - System 3



Declaration of Performance

Prestatieverklaring - Leistungserklärung - Déclaration des performances Prestandadeklaration - Ytelseserklæring - Ydeevnedeklaration

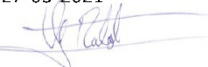
DoP No: CE-DOP-2021.03-00

Report number - Rapportnummer - Reportnummer - Numéro de rapport - Rapportnummer - Rapportnummer - Rapportnummer
130901400, 713043095

Identification number notified body - Nummer van de controle instantie - Kennnummer der notifizierten Stelle - Numéro d'identification de l'organisme notifié - Det anmälda organets identifikationsnummer Kontrollinstansens nummer - Identifikationsnummer bemyndiget organ
0063 Kiwa 0123 TÜV SÜD Product Service GmbH Zertifizierstellen ¹

Harmonised standard - Geharmoniseerde norm - Harmonisierte Norm - Norme harmonisée - Harmoniserad standard - Harmonisert standard - Harmoniseret standard
EN 13241:2003+A2:2016

Declared performance Aangegeven prestaties Erklärte Leistung Performances déclarées Prestanda som intygas Angitte prestasjoner Deklareret ydeevne	Essential characteristics Essentielle kenmerken Wesentliche Merkmale Caractéristiques essentielles Väsentliga egenskaper Grunnleggende kjennetegn Väsentlige egenskaber	Performance Prestaties Leistung Performances Prestanda Prestasjoner Ydeevne	Requirements Eisen Anforderungen Exigences Krav Krav Krav
	Watertightness	NPD	4.4.1
	Release of dangerous substances	NPD	4.2.9
	Resistance to wind load	class 3*	4.4.3
	Thermal resistance (where relevant)	NPD	4.4.5
	Air permeability	NPD	4.4.6
	Safe opening (for vertically moving doors)	NPD	4.2.8
	Definition of geometry of glass	NPD	4.2.5
	Mechanical resistance and stability	PASS	4.2.3
	Operating forces (for power operated doors)	NPD	4.3.3
	Durability of watertightness, thermal resistance and air permeability against degradation	NPD	4.4.7

Signed by Ondertekend door Unterzeichnet von Signé par Undertecknad av Undertegnet av Underskrevet af	Gilles Rabot Chief Executive Officer Oirschot 27-05-2021 
--	--

Declaration of Performance

Prestatieverklaring - Leistungserklärung - Déclaration des performances Prestandadeklaration - Ytelseserklæring - Ydeevnedeklaration

DoP No: CE-DOP-2021.03-00

Assessed products - Beoordeelde producten - Bewertete Produkte - Produits évalués - Produkter som bedömts - Vurderes produkter - Vurderede produkter		
uGate21		
Technical data	Version: Type: Drive: Control unit: Safety edge:	single, double Heracles, Atlas n/a n/a n/a
*Wind Class 3	Opening x Height: <small>(single version)</small>	≤12m x ≤2,5m
Delta21		
Technical data	Version: Type: Drive: Control unit: Safety edge:	single, double Heracles*, Atlas*, Olympus*, Pegasus** n/a n/a n/a
*Wind Class 3	Opening x Height: <small>(single version)</small>	≤9,5m x ≤2,3m (Heracles / Atlas / Olympus) ≤8,5m x ≤2,5m (Heracles / Atlas / Olympus) ≤9,5m x ≤1,8m (Pegasus) ≤8,5m x ≤2m (Pegasus) ≤7m x ≤2,5m (Pegasus)
SHB21		
Technical data	Version: Type: Drive: Control unit: Safety edge:	single, double Heracles, Atlas, Orpheus** n/a n/a n/a
*Wind Class 3	Opening x Height: <small>(single version)</small>	≤13,3m x ≤2m ≤8,5m x ≤2,5m**
Wind Class 2	Opening x Height: <small>(single version)</small>	≤13,3m x 2,5m



Declaration of Performance



Prestatieverklaring - Leistungserklärung - Déclaration des performances Prestandadeklaration - Ytelseserklæring - Ydeevnedeklaration

DoP No: CE-DOP-2022.02-00

Product type - Producttype - Produkttyp - Type de produit - Produkttyp - Produkttype - Produkttype

Manually operated sliding gates - Handbediende schuifpoorten - Manuell betätigten Schiebetoren - Portes coulissantes à commande manuelle - Manuella skjutgrindar - Manuelt betjente skyveporter - Manuelt betjente skydeporte

Identification code - Identificatiecode - Kenncode - Code d'identification - Identifikationskod - Identifikasjonskode - Identifikationskode

Axel

Serial number - Serienummer - Seriennummer - Numéro de type - Serienummer - Serienummer - Serienummer

n/a

Intended use - Beoogd gebruik - Vorgesehener Verwendungszweck - Usage prévu - Avsedd användning - Tiltent bruk - Tilsigtet brug

Giving safe access for goods and vehicles accompanied or driven by persons in industrial, commercial or residential premises.

Het bieden van een veilige toegang voor goederen en voertuigen begeleid of bestuurd door personen in industriële, commerciële of residentiële ruimten.

Eine sichere Zufahrt für Waren und Fahrzeuge, begleitet oder geführt (gesteuert) von Personen, in industriellen, gewerblichen oder Wohnbereichen zu ermöglichen.

Permettre l'accès des marchandises et des véhicules accompagnés ou conduits par des personnes, en toute sécurité, dans des locaux industriels et commerciaux ou des garages dans les zones d'habitation.

För vilka avsedd användning är att ge säkert tillträde för gods och fordon åtföljda av eller körda av personer på industriområden, kommersiella områden eller bostadsområden.

Gir sikker tilgang for varer og kjøretøy ledsaget eller kjørt av personer i industrielle, kommersielle eller boliglokaler.

Give sikker adgang til varer og køretøjer, der ledsages eller køres af personer i industrielle, kommercielle eller boliglokaler.

Contact address manufacturer - Contactgegevens fabrikant - Kontaktanschrift des Herstellers - Adresse de contact du fabricant - Tillverkarens kontaktadress - Tillverkarens kontaktadress - Kontaktadresse fabrikant

Heras B.V. - Hekdam 1 - 5688JE Oirschot - Netherlands

System of assessment and verification of constancy of performance

Systeem voor beoordeling en verificatie van de prestatiebestendigheid

System zur Bewertung und Überprüfung der Leistungsbeständigkeit

Système d'évaluation et de vérification de la constance des performances

System för bedömning och fortlöpande kontroll av byggprodukternas prestanda

System for vurdering og verificering av prestasjonsbestandighet

System til vurdering og kontrol af ydeevnens konstans

System 3 - Systeem 3 - System 3 - Système 3 - System 3 - System 3 - System 3



Declaration of Performance

Prestatieverklaring - Leistungserklärung - Déclaration des performances Prestandadeklaration - Ytelseserklæring - Ydeevnedeklaration

DoP No: CE-DOP-2022.02-00

Report number - Rapportnummer – Reportnummer - Numéro de rapport - Rapportnummer - Rapportnummer - Rapportnummer

P000117266/02 - VL21172UO-BER-001

Identification number notified body - Nummer van de controle instantie - Kennnummer der notifizierten Stelle - Numéro d'identification de l'organisme notifié - Det anmälda organets identifikationsnummer Kontrollinstansens nummer - Identifikationsnummer bemyndiget organ

0063 Kiwa

Harmonised standard - Geharmoniseerde norm - Harmonisierte Norm - Norme harmonisée - Harmoniserad standard - Harmonisert standard - Harmoniseret standard

EN 13241:2003+A2:2016

Declared performance Aangegeven prestaties Erklärte Leistung Performances déclarées Prestanda som intygas Angitte prestasjoner Deklareret ydeevne	Essential characteristics Essentielle kenmerken Wesentliche Merkmale Caractéristiques essentielles Väsentliga egenskaper Grunnleggende kjennetegn Væsentlige egenskaber	Performance Prestaties Leistung Performances Prestanda Prestasjoner Ydeevne	Requirements Eisen Anforderungen Exigences Krav Krav Krav
	Watertightness	NPD	4.4.1
	Release of dangerous substances	NPD	4.2.9
	Resistance to wind load	class 2*	4.4.3
	Thermal resistance (where relevant)	NPD	4.4.5
	Air permeability	NPD	4.4.6
	Safe opening (for vertically moving doors)	NPD	4.2.8
	Definition of geometry of glass	NPD	4.2.5
	Mechanical resistance and stability	PASS	4.2.3
	Operating forces (for power operated doors)	NPD	4.3.3
	Durability of watertightness, thermal resistance and air permeability against degradation	NPD	4.4.7

Signed by
Ondertekend door
Unterzeichnet von
Signé par
Undertecknad av
Undertegnet av
Underskrevet af

Gilles Rabot
Chief Executive Officer
Oirschot
11-02-2022



Declaration of Performance



Prestatieverklaring - Leistungserklärung - Déclaration des performances Prestandadeklaration - Ytelseserklæring - Ydeevnedeklaration

DoP No: CE-DOP-2022.02-00

Assessed products - Beoordeelde producten - Bewertete Produkte - Produits évalués - Produkter som bedömts - Vurderes produkter - Vurderede produkter		
Axel		
Technical data	Version: Type: Drive: Control unit: Safety edge:	single Fine Mesh infill n/a n/a n/a
*Wind Class 2 Reference wind load 620 Pa	Opening x Height: (single version)	≤7m x ≤2m



Declaration of Performance

Prestatieverklaring - Leistungserklärung - Déclaration des performances Prestandadeklaration - Ytelseserklæring - Ydeevnedeklaration

DoP No: UKCA-DOP-2021.03-00

Product type - Producttype - Produkttyp - Type de produit - Produkttyp - Produkttype - Produkttype

Manually operated sliding gates - Handbediende schuifpoorten - Manuell betätigten Schiebetoren - Portes coulissantes à commande manuelle - Manuella skjutgrindar - Manuelt betjente skyveporter - Manuelt betjente skydeporte

Identification code - Identificatiecode - Kenncode - Code d'identification - Identifikationskod - Identifikasjonskode - Identifikationskode

Delta21 - SHB21 - uGate21¹

Serial number - Serienummer - Serienummer - Numéro de type - Serienummer - Serienummer - Serienummer

n/a

Intended use - Beoogd gebruik - Vorgesehener Verwendungszweck - Usage prévu - Avsedd användning - Tiltent bruk - Tilsigtet brug

Giving safe access for goods and vehicles accompanied or driven by persons in industrial, commercial or residential premises.

Het bieden van een veilige toegang voor goederen en voertuigen begeleid of bestuurd door personen in industriële, commerciële of residentiële ruimten.

Eine sichere Zufahrt für Waren und Fahrzeuge, begleitet oder geführt (gesteuert) von Personen, in industriellen, gewerblichen oder Wohnbereichen zu ermöglichen.

Permettre l'accès des marchandises et des véhicules accompagnés ou conduits par des personnes, en toute sécurité, dans des locaux industriels et commerciaux ou des garages dans les zones d'habitation.

För vilka avsedd användning är att ge säkert tillträde för gods och fordon åtföljda av eller körda av personer på industriområden, kommersiella områden eller bostadsområden.

Gir sikker tilgang for varer og kjøretøy ledsaget eller kjørt av personer i industrielle, kommersielle eller boliglokaler.

Give sikker adgang til varer og køretøjer, der ledsages eller køres af personer i industrielle, kommercielle eller boliglokaler.

Contact address manufacturer - Contactgegevens fabrikant - Kontaktanschrift des Herstellers - Adresse de contact du fabricant - Tillverkarens kontaktadress - Tillverkarens kontaktadress - Kontaktadresse fabrikant

Heras B.V. - Hekdam 1 - 5688JE Oirschot - Netherlands

System of assessment and verification of constancy of performance

Systeem voor beoordeling en verificatie van de prestatiebestendigheid

System zur Bewertung und Überprüfung der Leistungsbeständigkeit

Système d'évaluation et de vérification de la constance des performances

System för bedömning och fortlöpande kontroll av byggprodukternas prestanda

System for vurdering og verifisering av prestasjonsbestandighet

System til vurdering og kontrol af ydeevnens konstans

System 3 - System 3 - System 3 - Système 3 - System 3 - System 3 - System 3



Declaration of Performance

Prestatieverklaring - Leistungserklärung - Déclaration des performances Prestandadeklaration - Ytelseserklæring - Ydeevnedeklaration

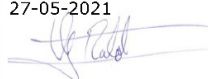
DoP No: UKCA-DOP-2021.03-00

Report number - Rapportnummer - Reportnummer - Numéro de rapport - Rapportnummer - Rapportnummer - Rapportnummer
130901400, 713043095

Identification number notified body - Nummer van de controle instantie - Kennnummer der notifizierten Stelle - Numéro d'identification de l'organisme notifié - Det anmälda organets identifikationsnummer Kontrollinstansens nummer - Identifikationsnummer bemyndiget organ
0063 Kiwa 0123 TÜV SÜD Product Service GmbH Zertifizierstellen ¹

Harmonised standard - Geharmoniseerde norm - Harmonisierte Norm - Norme harmonisée - Harmoniserad standard - Harmoniseret standard - Harmoniseret standard
EN 13241:2003+A2:2016

Declared performance Aangegeven prestaties Erklärte Leistung Performances déclarées Prestanda som intygas Angitte prestasjoner Deklareret ydeevne	Essential characteristics Essentielle kenmerken Wesentliche Merkmale Caractéristiques essentielles Väsentliga egenskaper Grunnleggende kjennetegn Väsentlige egenskaber	Performance Prestaties Leistung Performances Prestanda Prestasjoner Ydeevne	Requirements Eisen Anforderungen Exigences Krav Krav Krav
	Watertightness	NPD	4.4.1
	Release of dangerous substances	NPD	4.2.9
	Resistance to wind load	class 3*	4.4.3
	Thermal resistance (where relevant)	NPD	4.4.5
	Air permeability	NPD	4.4.6
	Safe opening (for vertically moving doors)	NPD	4.2.8
	Definition of geometry of glass	NPD	4.2.5
	Mechanical resistance and stability	PASS	4.2.3
	Operating forces (for power operated doors)	NPD	4.3.3
	Durability of watertightness, thermal resistance and air permeability against degradation	NPD	4.4.7

Signed by Ondertekend door Unterzeichnet von Signé par Undertecknad av Undertegnet av Underskrevet af	Gilles Rabot Chief Executive Officer Oirschot 27-05-2021 
--	--



Declaration of Performance

Prestatieverklaring - Leistungserklärung - Déclaration des performances Prestandadeklaration - Ytelseserklæring - Ydeevnedeklaration

DoP No: UKCA-DOP-2021.03-00

Assessed products - Beoordeelde producten - Bewertete Produkte - Produits évalués - Produkter som bedömts - Vurderes produkter - Vurderede produkter

uGate21

Technical data	Version: Type: Drive: Control unit: Safety edge:	single, double Heracles, Atlas n/a n/a n/a
*Wind Class 3	Opening x Height: <small>(single version)</small>	≤12m x ≤2,5m

Delta21

Technical data	Version: Type: Drive: Control unit: Safety edge:	single, double Heracles*, Atlas*, Olympus*, Pegasus** n/a n/a n/a
*Wind Class 3	Opening x Height: <small>(single version)</small>	≤9,5m x ≤2,3m (Heracles / Atlas / Olympus) ≤8,5m x ≤2,5m (Heracles / Atlas / Olympus) ≤9,5m x ≤1,8m (Pegasus) ≤8,5m x ≤2m (Pegasus) ≤7m x ≤2,5m (Pegasus)

SHB21

Technical data	Version: Type: Drive: Control unit: Safety edge:	single, double Heracles, Atlas, Orpheus** n/a n/a n/a
*Wind Class 3	Opening x Height: <small>(single version)</small>	≤13,3m x ≤2m ≤8,5m x ≤2,5m**
Wind Class 2	Opening x Height: <small>(single version)</small>	≤13,3m x 2,5m



Declaration of Performance

Prestatieverklaring - Leistungserklärung - Déclaration des performances Prestandadeklaration - Ytelseserklæring - Ydeevnedeklaration

DoP No: UKCA-DOP-2022.02-00

Product type - Producttype - Produkttyp - Type de produit - Produkttyp - Produkttype - Produkttype

Manually operated sliding gates - Handbediende schuifpoorten - Manuell betätigten Schiebetoren - Portes coulissantes à commande manuelle - Manuella skjutgrindar - Manuelt betjente skyveporter - Manuelt betjente skydeporte

Identification code - Identificatiecode - Kenncode - Code d'identification - Identifikationskod - Identifikasjonskode - Identifikationskode

Axel

Serial number - Serienummer - Seriennummer - Numéro de type - Serienummer - Serienummer - Serienummer

n/a

Intended use - Beoogd gebruik - Vorgesehener Verwendungszweck - Usage prévu - Avsedd användning - Tiltentkt bruk - Tilsigtet brug

Giving safe access for goods and vehicles accompanied or driven by persons in industrial, commercial or residential premises.
Het bieden van een veilige toegang voor goederen en voertuigen begeleid of bestuurd door personen in industriële, commerciële of residentiële ruimten.
Eine sichere Zufahrt für Waren und Fahrzeuge, begleitet oder geführt (gesteuert) von Personen, in industriellen, gewerblichen oder Wohnbereichen zu ermöglichen.
Permettre l'accès des marchandises et des véhicules accompagnés ou conduits par des personnes, en toute sécurité, dans des locaux industriels et commerciaux ou des garages dans les zones d'habitation.
För vilka avsedd användning är att ge säkert tillträde för gods och fordon åtföljda av eller körda av personer på industriområden, kommersiella områden eller bostadsområden.
Gir sikker tilgang for varer og kjøretøy ledsaget eller kjørt av personer i industrielle, kommersielle eller boliglokaler.
Give sikker adgang til varer og køretøjer, der ledsages eller køres af personer i industrielle, kommercielle eller boliglokaler.

Contact address manufacturer - Contactgegevens fabrikant - Kontaktanschrift des Herstellers - Adresse de contact du fabricant - Tillverkarens kontaktadress - Tillverkarens kontaktadress - Kontaktadresse fabrikant

Heras B.V. - Hekdam 1 - 5688JE Oirschot - Netherlands

System of assessment and verification of constancy of performance

Systeem voor beoordeling en verificatie van de prestatiebestendigheid
System zur Bewertung und Überprüfung der Leistungsbeständigkeit
Système d'évaluation et de vérification de la constance des performances
System för bedömning och fortlöpande kontroll av byggprodukternas prestanda
System for vurdering og verifisering av prestasjonsbestandighet
System til vurdering og kontrol af ydeevnens konstans

System 3 - Systeem 3 - System 3 - Système 3 - System 3 - System 3 - System 3



Declaration of Performance

Prestatieverklaring - Leistungserklärung - Déclaration des performances Prestandadeklaration - Ytelseserklæring - Ydeevnedeklaration

DoP No: UKCA-DOP-2022.02-00

Report number - Rapportnummer – Reportnummer - Numéro de rapport - Rapportnummer - Rapportnummer - Rapportnummer

P000117266/02 - VL21172UO-BER-001

Identification number notified body - Nummer van de controle instantie - Kennnummer der notifizierten Stelle - Numéro d'identification de l'organisme notifié - Det anmälda organets identifikationsnummer Kontrollinstansens nummer - Identifikationsnummer bemyndiget organ

0063 Kiwa

Harmonised standard - Geharmoniseerde norm - Harmonisierte Norm - Norme harmonisée - Harmoniserad standard - Harmonisert standard - Harmoniseret standard

EN 13241:2003+A2:2016

Declared performance Aangegeven prestaties Erklärte Leistung Performances déclarées Prestanda som intygas Angitte prestasjoner Deklareret ydeevne	Essential characteristics Essentielle kenmerken Wesentliche Merkmale Caractéristiques essentielles Väsentliga egenskaper Grunnleggende kjennetegn Væsentlige egenskaber	Performance Prestaties Leistung Performances Prestanda Prestasjoner Ydeevne	Requirements Eisen Anforderungen Exigences Krav Krav Krav
	Watertightness	NPD	4.4.1
	Release of dangerous substances	NPD	4.2.9
	Resistance to wind load	class 2*	4.4.3
	Thermal resistance (where relevant)	NPD	4.4.5
	Air permeability	NPD	4.4.6
	Safe opening (for vertically moving doors)	NPD	4.2.8
	Definition of geometry of glass	NPD	4.2.5
	Mechanical resistance and stability	PASS	4.2.3
	Operating forces (for power operated doors)	NPD	4.3.3
	Durability of watertightness, thermal resistance and air permeability against degradation	NPD	4.4.7

Signed by
Ondertekend door
Unterzeichnet von
Signé par
Undertecknad av
Undertegnet av
Underskrevet af

Gilles Rabot
Chief Executive Officer
Oirschot
11-02-2022



Declaration of Performance

Prestatieverklaring - Leistungserklärung - Déclaration des performances Prestandadeklaration - Ytelseserklæring - Ydeevnedeklaration

DoP No: UKCA-DOP-2022.02-00

Assessed products - Beoordeelde producten - Bewertete Produkte - Produits évalués - Produkter som bedömts - Vurderes produkter - Vurderede produkter		
Axel		
Technical data	Version: Type: Drive: Control unit: Safety edge:	single Fine Mesh infill n/a n/a n/a
*Wind Class 2 Reference wind load 620 Pa	Opening x Height: (single version)	≤7m x ≤2m



HERAS

**Heras B.V.
Hekdam 1
P.O. box 30
5688 ZG Oirschot**

**Tel: +31 499 55 12 55
E-mail: infoNL@heras.nl**

Local supplier stamp